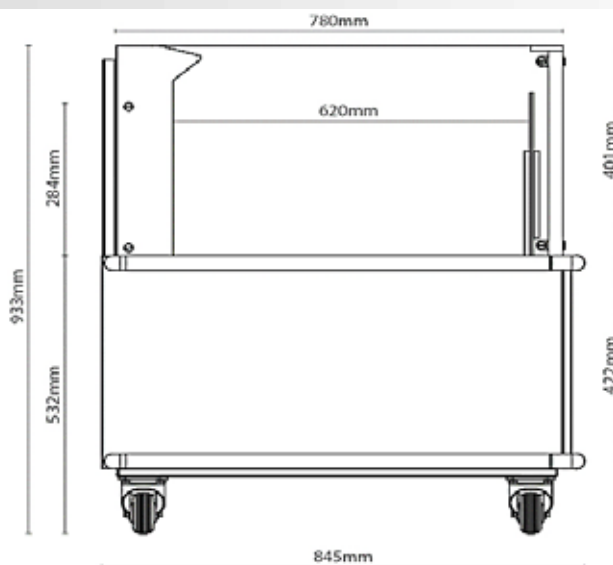
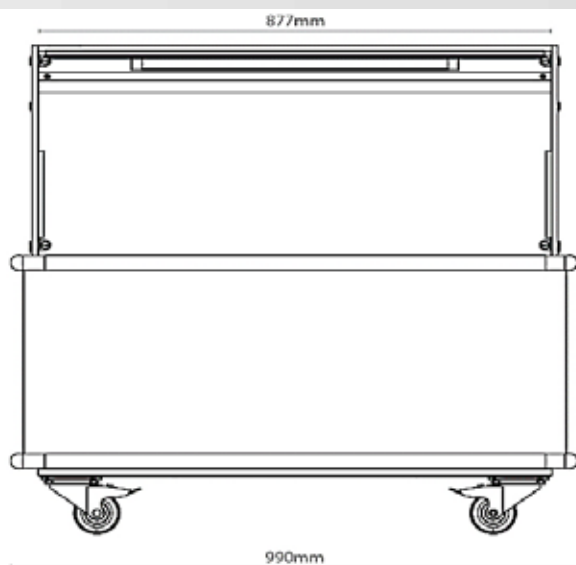


Grab & Go Fridges - H-Crystal R



H-Crystal R*



Technical parameters:

Model	Dimension (ext.) H x W x D [mm]	Display surface [m ²]	Weight [kg]
H-Crystal R	933 x 990 x 845	0,56	132

* - Picture above presents unit with either some or all available extras. Please note that the look of basic version of cabinet, or one of your choice, may vary from presented.

Grab & Go Fridges - H-Crystal R



H-Crystal R*

Description:

- temperature range 0 / +4°C
- preferred ambient temperature +16 / +25°C
- power supply 230V / 50Hz
- internal condensing unit
- ecological polyurethane insulation
- body made of PVC coated steel - white colour
- exhibition area made of PVC coated steel - white colour
- interior top LED lighting - white
- price strips
- fan assisted cooling
- electronic control with digital temperature display
- automatic defrost
- automatic condensate evaporation
- castors with brakes
- 1 year full warranty service and after warranty service provided

Available options:

- front grey bumper
- bottom grey bumper
- interior colour - black
- body colour - black

* - Picture above presents unit with either some or all available extras. Please note that the look of basic version of cabinet, or one of your choice, may vary from presented.